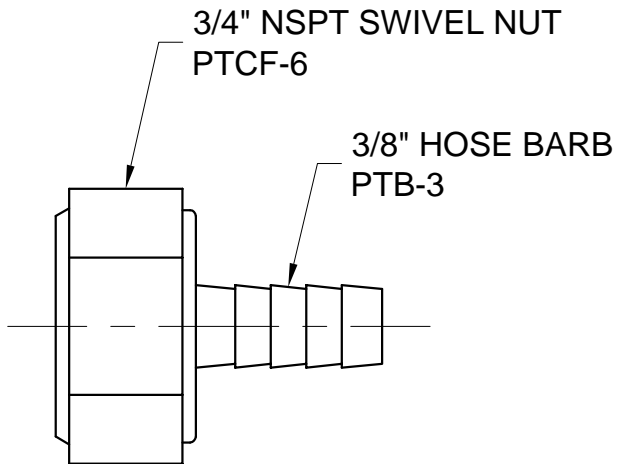
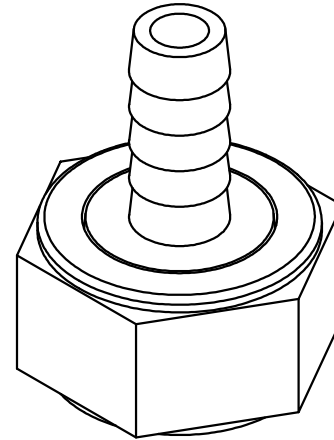
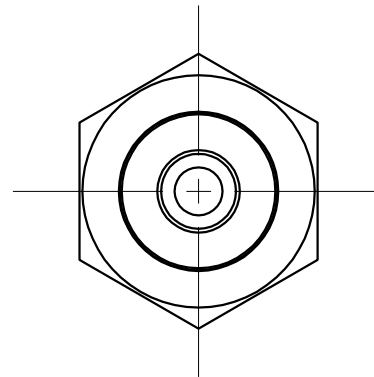


VINYL WASHER  
PTVW-7



3/4" NSPT SWIVEL NUT  
PTCF-6

3/8" HOSE BARB  
PTB-3



MATERIAL:	SCALE: 1:1	<b>Premier Plastics, Inc.</b> <i>"Quality Custom Plastic Injection Molding"</i> ISO 9001:2000 CERTIFIED 3902 Leavenworth Street Phone (402) 346-2998 Omaha, NE 68105 Fax (402) 346-7679 www.premierplasticsinc.com
	DRAWN: MLT	
DATE: 10-28-04	PART NAME:	
COLOR:	TOLERANCES UNLESS OTHERWISE NOTED	
	X.XX ± 0.010 X.XXX ± 0.005	