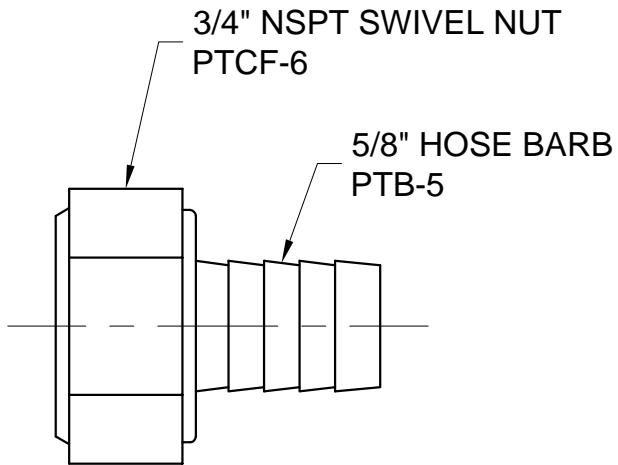
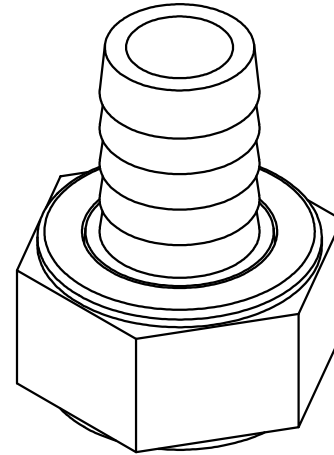
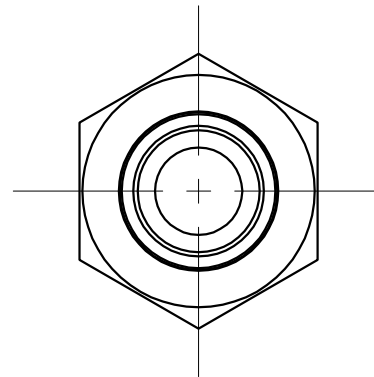


VINYL WASHER  
PTVW-7



3/4" NSPT SWIVEL NUT  
PTCF-6

5/8" HOSE BARB  
PTB-5



MATERIAL:	SCALE: 1:1	<b>Premier Plastics, Inc.</b> <i>"Quality Custom Plastic Injection Molding"</i> ISO 9001:2000 CERTIFIED 3902 Leavenworth Street Phone (402) 346-2998 Omaha, NE 68105 Fax (402) 346-7679 <a href="http://www.premierplasticsinc.com">www.premierplasticsinc.com</a>	
	DRAWN: MLT		
COLOR:	DATE: 10-28-04	PART NAME: <b>5/8" BARB X 3/4" NSPT SWIVEL NUT</b> PART NO. PTCF-65 I.D. NO.	
	TOLERANCES UNLESS OTHERWISE NOTED		
	X.XX ± 0.010		
	X.XXX ± 0.005		