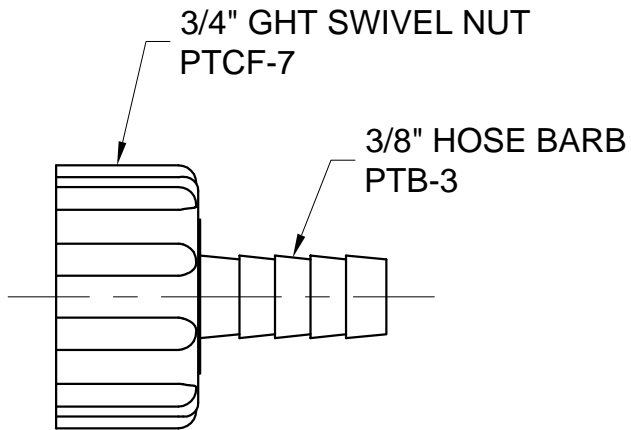
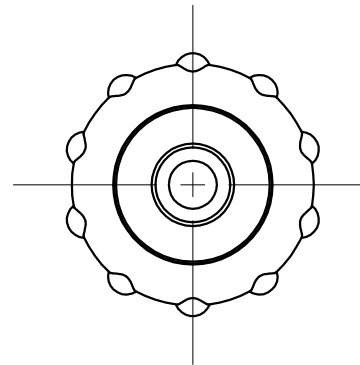
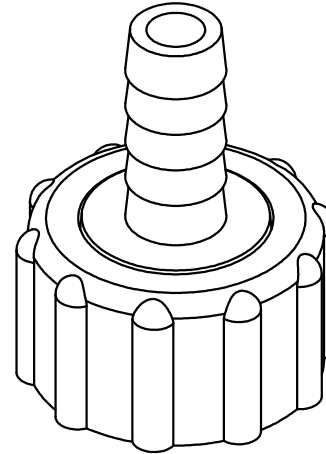


RUBBER WASHER
PTRW-7



3/4" GHT SWIVEL NUT
PTCF-7

3/8" HOSE BARB
PTB-3



MATERIAL:	SCALE: 1:1	Premier Plastics, Inc. <i>"Quality Custom Plastic Injection Molding"</i> ISO 9001:2000 CERTIFIED 3902 Leavenworth Street Phone (402) 346-2998 Omaha, NE 68105 Fax (402) 346-7679 www.premierplasticsinc.com	
	DRAWN: MLT		
COLOR:	DATE: 10-28-04	PART NAME: 3/8" BARB X MALE GHT ASSEMBLY PART NO. PTCF-73W I.D. NO.	
	TOLERANCES UNLESS OTHERWISE NOTED		
	X.XX ± 0.010 X.XXX ± 0.005		