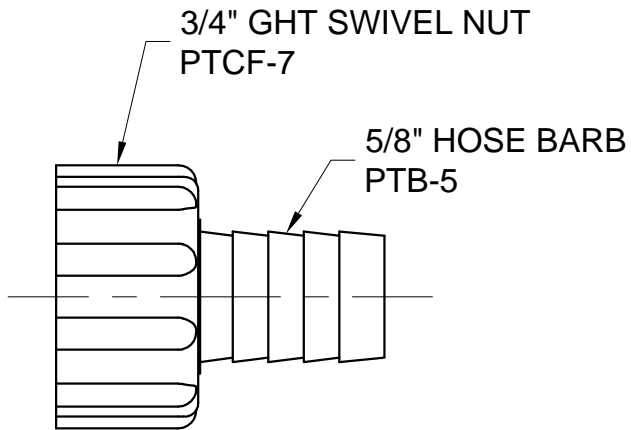
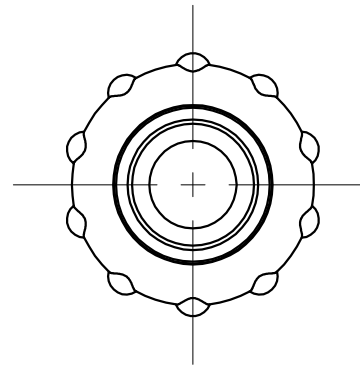
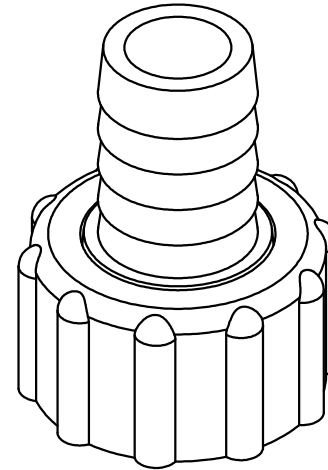


VINYL WASHER
PTVW-7



3/4" GHT SWIVEL NUT
PTCF-7

5/8" HOSE BARB
PTB-5



MATERIAL:	SCALE: 1:1	Premier Plastics, Inc. <i>"Quality Custom Plastic Injection Molding"</i> ISO 9001:2000 CERTIFIED 3902 Leavenworth Street Phone (402) 346-2998 Omaha, NE 68105 Fax (402) 346-7679 www.premierplasticsinc.com
	DRAWN: MLT	
DATE: 10-28-04		
COLOR:	TOLERANCES UNLESS OTHERWISE NOTED X.XX ± 0.010 X.XXX ± 0.005	
PART NAME:		5/8" BARB X MALE GHT ASSEMBLY PART NO. PTCF-75 I.D. NO.