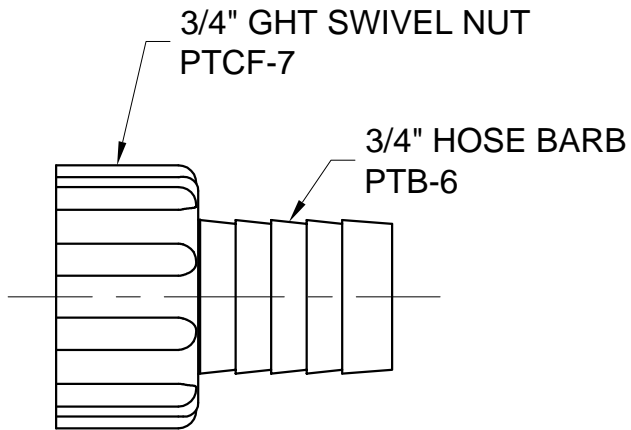
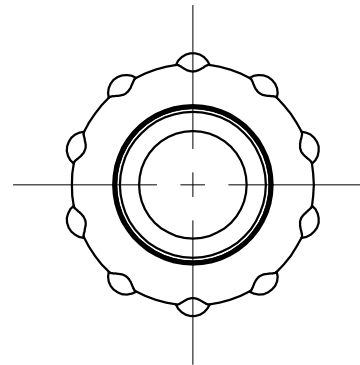
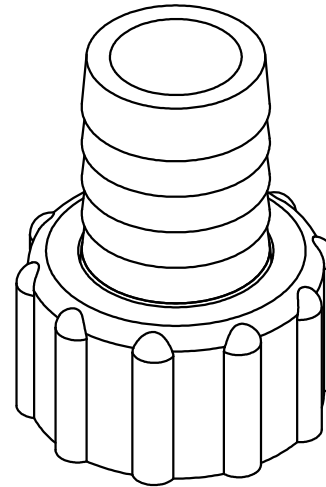


VINYL WASHER
PTVW-7



3/4" GHT SWIVEL NUT
PTCF-7

3/4" HOSE BARB
PTB-6



| | | | |
|-----------|-----------------------------------|---|--|
| MATERIAL: | SCALE: 1:1 | Premier Plastics, Inc. <i>"Quality Custom Plastic Injection Molding"</i> ISO 9001:2000 CERTIFIED 3902 Leavenworth Street Phone (402) 346-2998 Omaha, NE 68105 Fax (402) 346-7679 www.premierplasticsinc.com | |
| | DRAWN: MLT | | |
| COLOR: | DATE: 10-28-04 | PART NAME: 3/4" BARB X MALE GHT ASSEMBLY PART NO. PTCF-76 I.D. NO. | |
| | TOLERANCES UNLESS OTHERWISE NOTED | | |
| | X.XX ± 0.010 X.XXX ± 0.005 | | |